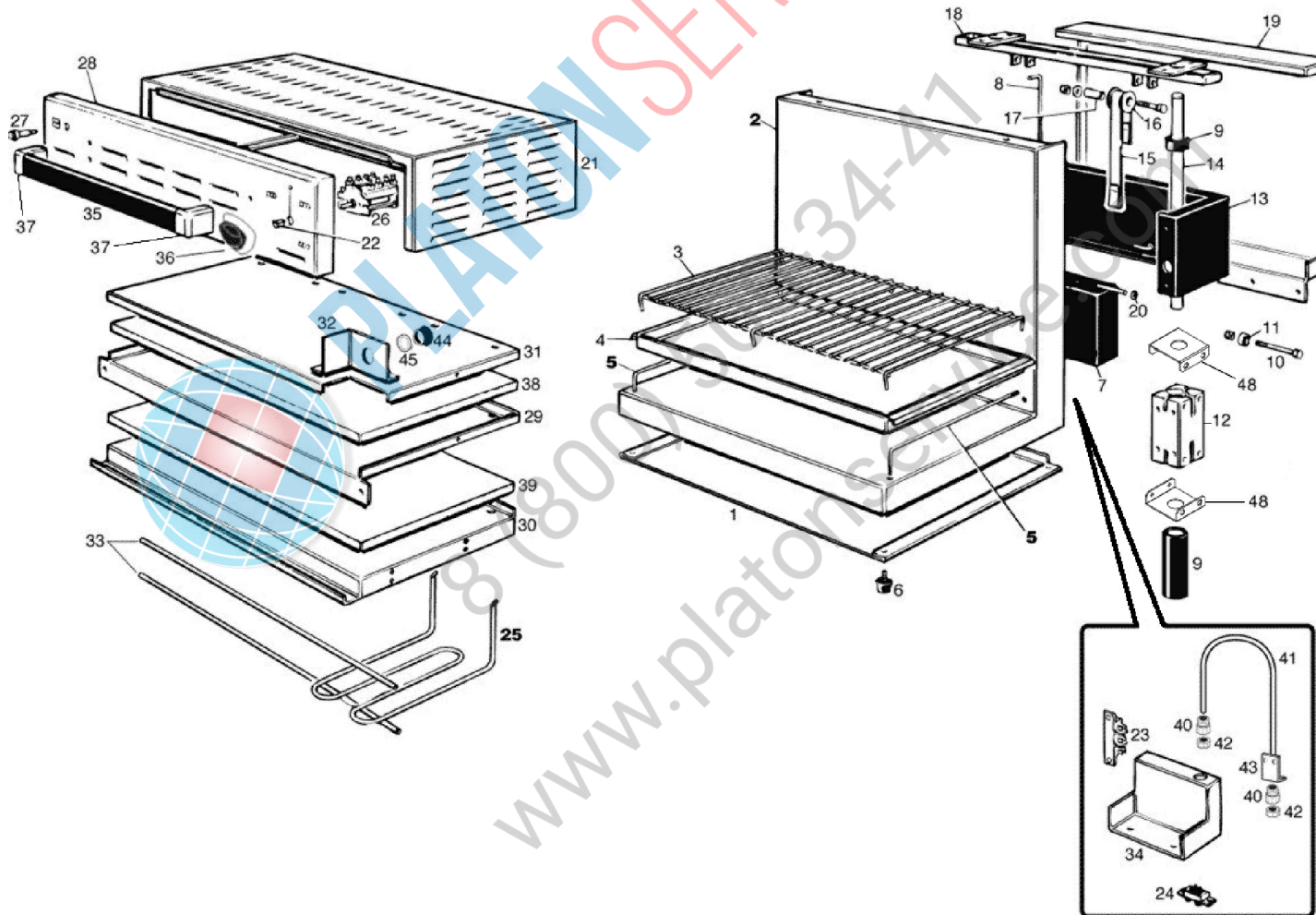
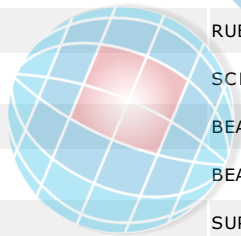


4
HOME -> OVENS -> SALAMANDERS -> 60SME -> 4



4
HOME -> OVENS -> SALAMANDERS -> 60SME -> 4

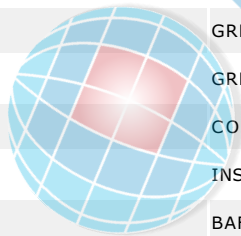
Modification	Code	Description	Rec.	Qty	Validity date
1	35M5610	BOTTOM PLATE		1	01/09/1996-
2	30M3750	TOP ASS. Y		1	01/09/1996-04/04/2011
2	3196770	TOP ASS. Y		1	05/04/2011-
3	36A2800	GRID		1	01/09/1996-
4	35W3410	TRAY		1	01/09/1996-
5	35R0450	TRAY GUIDE		1	01/09/1996-
5	35R0460	TRAY GUIDE		1	01/09/1996-
6	36D2740	RUBBER FOOT		4	01/09/1996-
7	36G3970	COUNTERWEIGHT ASS. Y		1	01/09/1996-
8	36D6030	COUNTERWEIGHT PIN		1	01/09/1996-
9	111AA05	RUBBER HOSE Ø30 Ø20		23	19/07/2005-
10	3051720	SCREW TE M5X65		16	10/05/2005-
11	36G4180	BEARING	X	16	01/09/1996-
12	36G4161	BEARINGS UPPORT		2	26/09/2005-
13	35B5040	SUPPORT ASS. Y		1	01/09/1996-
14	36D4860	GUIDE		2	01/09/1996-
15	36G4170	COUNTERWEIGHT-BELT		2	01/09/1996-
16	36G3980	BELT WHEEL		2	01/09/1996-
17	35Z2880	SPACER		2	01/09/1996-
18	3AT0270	CROSS MEMBER		1	01/09/1996-



PLATON SERVICE
8 (800) 500-34-47
www.platonservice.com

4
HOME -> OVENS -> SALAMANDERS -> 60SME -> 4

Modification	Code	Description	Rec.	Qty	Validity date
19	3AA0621	REAR PANEL ASS. Y		1	09/06/2003-
20	3170240	CATCH Ø 5		4	01/09/1996-
21	30A9610	HOOD ASS. Y		1	01/09/1996-
22	3170290	KNOB SPRING	X	1	01/09/1996-
23	32D1800	TERMINAL BOARD		1	01/09/1996-
24	32D1770	FAIRLEAD		1	09/06/2003-
25	32G1441	HEATING ELEMENT		3	01/09/1996-20/03/2006
25	32G1580	HEATING ELEMENT 1300W 240V	X	3	01/09/1996-
25	32G1580	HEATING ELEMENT 1300W 240V	X	3	21/03/2006-
26	32W2920	SWITCH	X	1	01/09/1996-
27	32W1331	GREEN LIGHT 230V		1	19/07/2005-22/05/2007
27	3106710	GREEN LIGHT 230V	X	1	23/05/2007-
28	35H1670	CONTROL BOARD		1	16/03/2002-
29	35B3610	INSULATION PANEL COVER		1	01/09/1996-
30	35G3400	BAFFLE		1	01/09/1996-
31	35Q6990	INSULATION PROTECTION		1	01/09/1996-
32	35Q6980	SELECTOR SWITCH PROTECTION		1	01/09/1996-
33	35S1260	HEATING ELEM. SUPPORT		4	01/09/1996-
34	35S3981	TERM. BOARD SUPPORT		1	01/09/1996-
35	35Z0651	HANDLE		1	16/03/2002-



PLATON SERVICE

8 (800) 500-34-47

www.platonservice.com

4
HOME -> OVENS -> SALAMANDERS -> 60SME -> 4

Modification	Code	Description	Rec.	Qty	Validity date
36	6300522	EL. CONTROL ASS.Y	X	1	11/10/2000-
37	36M2910	TERMINAL		2	16/03/2002-
38	37Q2800	INSULATING PANEL		1	01/09/1996-
39	37Q2810	INSULATING PANEL		1	01/09/1996-
40	3201530	METALLIC HOSE NIPPLE		2	01/09/1996-
41	131AA30	FLEX. METALLIC HOSE Ø19-Ø15		1	01/09/1996-
42	36Q1100	LOCK NUT 3/4"		2	01/09/1996-
43	35S6500	"L" BRACKET		1	01/09/1996-
44	36D7770	GROMMET BUSHING		1	01/09/1996-
45	3127820	STOP RING Ø 30		1	01/09/1996-
46	32Q2770	EL. CABLE 60SME		1	01/09/1996-
48	3051600	PROTECTION SUPPORT		4	26/09/2005-



8 (800) 500-34-47
www.platonservice.com